

# **Mini Wireless Presenter (PC Card Size)**

## **User's Manual**

**Be sure to carefully read this User's Manual first for the proper use of the Mini Wireless Presenter and keep it for future reference.**

---

Information in this document is subject to change without notice. No part of this document may be reproduced or transmitted in any form or by any means, electronic or mechanical, for any purpose, without the express written prior permission of the seller.

The seller provides this document without warranty, or condition of any kind. The seller may make improvements or change in the product described in this documentation at any time.


Other product and company name herein may be the trademarks of their respective owners.

© 2004 All rights reserved.

#### IMPORTANT SAFETY AND HEALTH INFORMATION

## CAUTION

LASER RADIATION-DO NOT STARE INTO BEAM

 \_\_\_\_\_

MAX OUTPUT:1mW  
WAVE LENGTH:650± 20nm  
CLASS II LASER PRODUCT.

\_\_\_\_\_

This product complies with 21 CFR.

#### WARNING! RISK OF INJURY!

**Laser beam can cause permanent damage to eyes.** Do not look into the laser beam or shine the laser beam into your eyes, other peoples' eyes, or pet's eyes.

#### WARNING! RISK OF INJURY!

**Keep this device away from Children.** This is a working tool, not a toy or entertainment device. It should only be used by adults.

# Table of Contents

## **Chapter 1 Introduction**

- What's the benefits..... 4
- Equipment checklist..... 4
- System requirement..... 5

## **Chapter 2 Product Features**

- Parts descriptions (Fig. 1,2)..... 6
- Take out the receiver (Fig. 3,4)..... 7
- Put back the receiver (Fig. 5)..... 7

## **Chapter 3 Getting Started**

- Initial setup the mini wireless presenter..... 8
- Using the mini wireless presenter..... 9

## **Chapter 4 Additional Information**

- Specifications..... 10
- Care and Maintenance..... 10

## **Trouble Shooting..... 11**

## **中文使用說明..... 12**

# Chapter 1 Introduction

Thank you for choosing the Mini Wireless Presenter.  
—“Make Your Presentation Easier and More Effective”

## ■ *What’s the benefits*

### □ Easily control the pace of your presentation

With the Mini Wireless Presenter, you don’t need to stand beside your computer or have an additional person click the slide for you, nor do you need to aim at the receiver of the remote control.

### □ Slim, compact and easy to carry

The Mini Wireless Presenter is a special design presentation tool, its USB dongle is designed slim enough to snap into the main body and fit the whole wireless presenter into the PC Card slot of your notebook PC.

### □ Multi-function

The Mini Wireless Presenter is the mixed of RF wireless control of PowerPoint keyboard shortcuts and the laser point. The device enables the user to control presentation slides wirelessly up to 100 feet (30 meters) away indoors, while the laser pointer up to over 40 meters from the target.

### □ Easy to use

The Mini Wireless Presenter is a USB plug-and-play device with no additional software required. The laser beam safety switch provides protection against unintentional laser beam into human eyes.

## ■ *Equipment Checklist*

**Carefully unpack your Mini Wireless Presenter, and keep the packing materials for future reference. Check to make sure you have all the following items:**

- |   |   |
|---|---|
| □ Mini Wireless Presenter (with USB receiver) | 1 |
| □ CR2032 battery                              | 1 |
| □ User’s Manual                               | 1 |

## ■ ***System Requirement***

**It is recommended to install this wireless presenter under one of the following Operating Systems:**

### **Operating Systems**

- Windows® 98 SE, ME, 2000, XP
- The Mini Wireless Presenter interface with the computer hardware is through the USB dongle.

# Chapter 2 Product Features

## ■ Parts Description

Figure 1

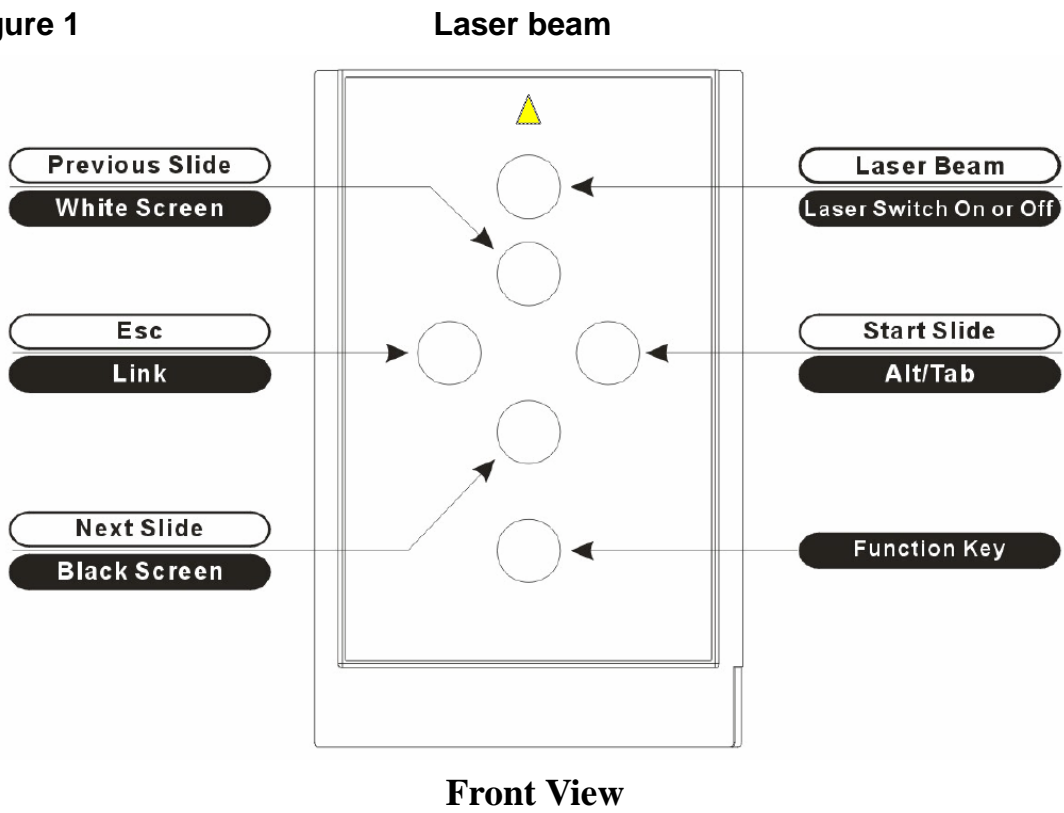


Figure 2

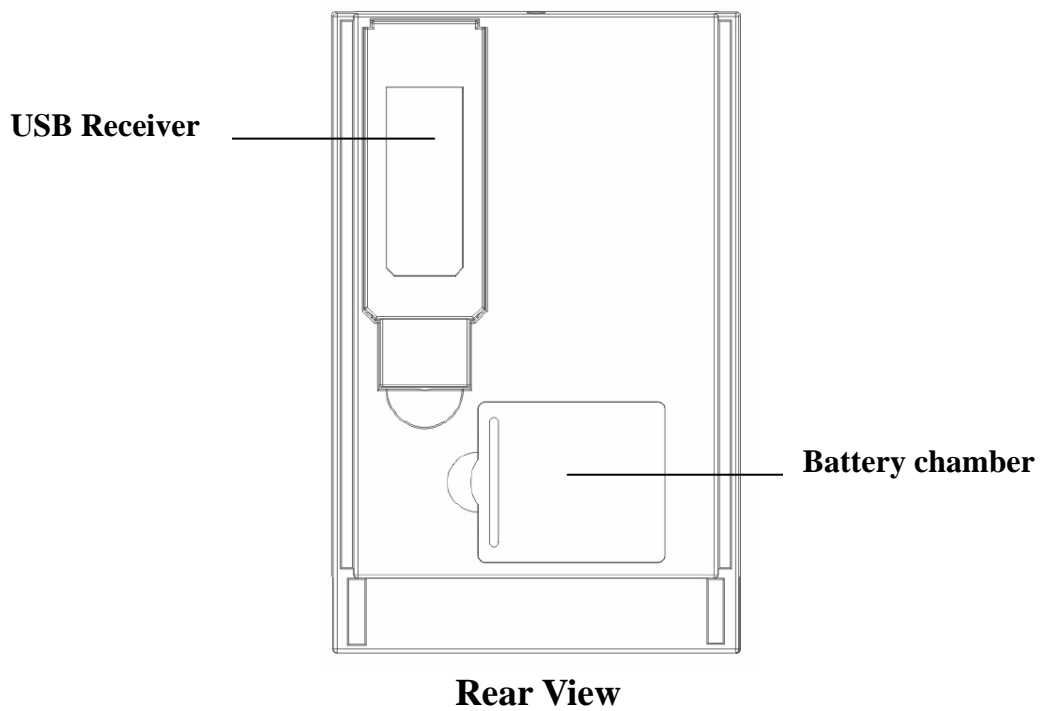
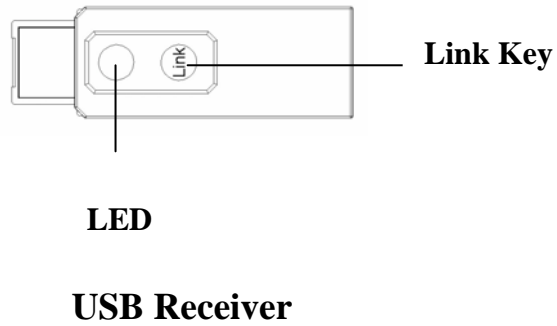
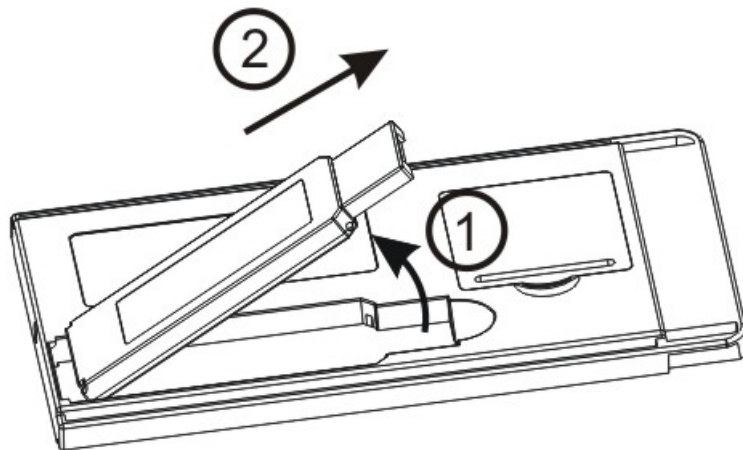


Figure 3



■ *Take out the receiver*

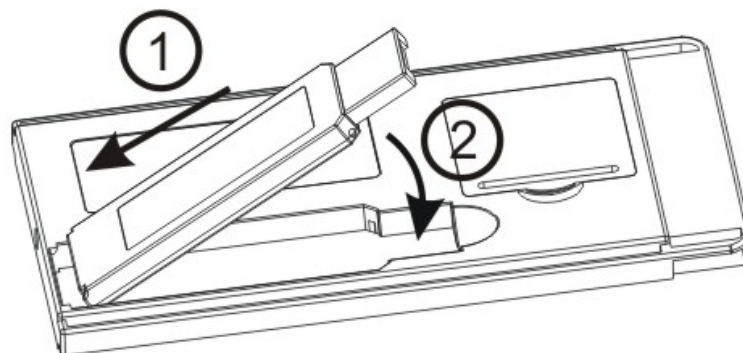
Figure 4 Pull up the USB dongle first and take out the receiver.



■ *Put back the receiver*

Insert the bottom of the USB receiver, label upwards, into the compartment first and press the USB dongle to the compartment.

Figure 5



## Chapter 3 Getting Started

### ■ *Initial setup the Mini Wireless Presenter*

**Step 1:** Open the battery cover on the back and insert the battery.

#### **Notes on battery**

- Do not insert battery into the Mini Presenter in the wrong direction.
- Do not leave dead or exhausted battery in the Mini Presenter.
- If you do not use the Mini Presenter for a long period of time, remove the battery to avoid possible damage from battery corrosion.
- If the Mini Presenter does not function correctly or if the operating range becomes reduced, try to replace the battery with new one.

**Step 2:** Take out the USB receiver attached on the back and plug it into an available USB port. (Please refer to page 7).

You may encounter the following conditions with different Operating Systems:

- Windows® 98 SE/ME  
The system will prompt you to insert the operating system CD-ROM and the follow the instruction to install the software required.
- Window® 2000/XP  
The operation system identifies the receiver, prompts "USB Human Interface Device" and begins installation automatically. Please follow the instruction on the screen to complete the installation procedure.

**Step 3:** To activate the laser point function, press **Fn** and **Laser** button simultaneously for 2 seconds.

**Note:** The laser function will automatically shut off after 30 minutes idle time.

## ■ Using the Mini Wireless Presenter

There are six keys on the Mini Wireless Presenter. The Fn key does not function except when used simultaneously with another key. The function of each key is described below.

- **Normal mode:** Function of each key when not used with the Fn key.

Keys marked in black	Function
Laser	To activate the laser point first by pressing and holding the Fn & Laser simultaneously about 2 seconds. After switching on the laser, press the key to shoot the laser beam.
Slides	Click to start the slide show
ESC	Click to exit the slide show
Next	Click to advance to the next slide
Prev.	Click to return to the previous slide

- **Function mode:** The Fn (function) key is used in combination with other keys to form specific function.

**Note:** The Fn key should be pressed before clicking the other key.

Keys marked in green	Function
Fn + <b>On/Off</b>	Switch on/off the laser function
Fn + <b>Black</b>	Turn the presentation screen to all black (press the NEXT key returns to normal)
Fn + <b>White</b>	Turn the presentation screen to all white (press the NEXT key returns to normal)
Fn + <b>Alt+Tab</b>	Change presentation program/files Hold Fn key, click Alt+Tab to select the file, then release Fn key to swap to the file selected.
Fn + <b>Link</b>	Change ID when radio is jammed evidently. Press Link key on receiver till the red light on, and then press the Fn+Link till the red light on the receiver start blinking. <b>Note:</b> Do not proceed ID change unless the remote control does not work.

## Chapter 4 Additional Information

### ■ **Specifications**

#### □ **System**

Frequency range: 2400~2483MHz

(16 multi channels and 65535 ID channels)

Remote range: Approx. 100 feet (30 meters) indoors, 328 (100 meters) feet outdoors

Operating voltage: 2.4V~3.3V

Power: CR2032 battery \* 1

Very low power consumption: Normal operation < 5mA

Laser operation < 30mA

Sleep < 10uA

Output power: Under 1mW

#### □ **Physical Dimensions**

Size: 86(l) x 54(w) x 5(h) millimeters

Weight: Approx. 23 grams (with the receiver and battery)

#### □ **Environmental Requirements**

Temperature:

Operating: 0°C (32°F)~60°C (140°F)

Non-operation: -10°C (14°F)~65°C (149°F)

Humidity(non-condensing):

Operating: 10%~85% RH

Non-operating: 10%~95% RH

□ Laser: Semiconductor laser(  $\lambda = 650$  nm), emission duration: continuous

□ Laser output power: Max. 0.95mW

**Note:** Design and specifications are subject to change without notice.

### ■ **Care and Maintenance**

□ For cleaning, you are advised to use a soft, slightly moistened cloth.

□ Avoid using solvents or abrasive substances.

□ Do not open the presenter for maintenance, consult qualified staff only.

This device complies with Part 15 of the FCC Rules. Operation is subject to the following conditions:

1. This device may not cause harmful interference.
2. This device must accept any interference received, including interference that may cause undesired operation.

## Trouble Shooting

Question	Possible cause	How to resolve
Need to install software for first use of the Presenter?		No, this is a plug and play device, you do not need to install any software.
Need to link ID before first use?		No need
Can you use two Presenters in a room at a same time?		Yes, you can, but we suggest you implement ID change in advance to avoid interference. (please see page 9).
Laser pointer malfunction	Forget to switch on the laser pointer or laser function is automatically turned off after 30 minutes idling time.	To switch on the laser pointer (please refer to page 9)
Remote control malfunction	Interfered by other RF signal	Implement ID change (please refer to page 9)
Laser pointer and remote control both malfunction	Put battery in wrong direction or run out of battery power	<ol style="list-style-type: none"> <li>1. Make sure you are on the right mode.</li> <li>2. Check the batteries</li> </ol>

**Patent Pending**



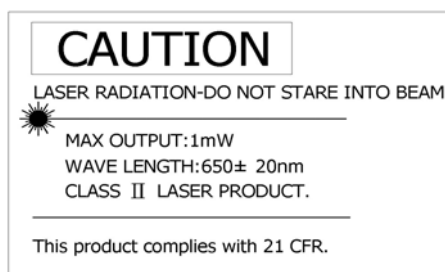
# 迷你無線簡報器 (2.4GHz)

## 使用說明書

使用前務請詳閱本使用說明，以正確操作本裝置，閱讀後並請妥善保存，以備日後參考。謝謝

謝謝您選用本公司精心設計之『迷你無線簡報器』。

此一便利之簡報工具，結合雷射光筆及 PowerPoint 快捷功能，加上本公司獨步全球的超薄型專利設計，讓你能輕易的將“Mini”收藏於筆記型電腦或其它裝置的 PC 卡插槽，“Mini”讓你的簡報與眾不同！



(注意：本產品具雷射功能，請勿將雷射光束直射眼睛並避免孩童把玩)

(一)、本產品包含：

1. 無線簡報器\*1
2. 無線接收器(USB)\*1  
(嵌於簡報器背面)
3. CR2032 電池\* 1
4. 使用說明書\*1

(二)、系統需求：

Windows® 98 SE, Me, 2000, XP

(三)、開始使用及模式說明：

1. 請先打開無線簡報器背面之電池蓋，依電極指示方向置入電池。
2. 取出簡報器背面之 USB 無線接收器，將無線接收器插入電腦或其他簡報裝置之 USB 埠。

注意：取出無線接收器：請先拉起前端 USB 連接部，再抽出接收器

置入無線接收器：請先將底端插入置放槽，再壓入即可

3. 打開簡報時所須之所有檔案。(建議先將 PowerPoint 顯示於簡報銀幕上)
4. **開啓雷射**：先按住無線簡報器下方之功能鍵(Fn)，再按住上方之雷射鍵(On/Off)，約二秒鐘即啓動雷射功能。(開啓或關閉雷射時請勿直視雷射)

注意：雷射開關安全設計：靜置三十分鐘後雷射自動關閉，重新開啓雷射須執行上述程序

5. 無線簡報器面板黑色文字表示“**一般模式**”(直接使用，不須按住 Fn 功能鍵)；綠色文字表示“**功能模式**”(必須先按住下方之 Fn 鍵，再使用黑色文字所表示之功能)。

(四)、操作說明：(正式使用前，請務必按下列說明實際操作一次，以便熟悉所有功能)

1. 一般模式(直接使用)

黑色按鍵文字	功能
<b>Laser</b>	1.同時按住 Fn 及 Laser 鍵約兩秒鐘開啓或關閉雷射 2.開啓雷射後按住此鍵即發出雷射光束
<b>Slides</b>	開始投影片放映
<b>ESC</b>	結束投影片放映
<b>Next</b>	進行下一張投影片
<b>Prev.</b>	回到前一張投影片

2. 功能模式：(搭配 Fn 鍵使用)

綠色按鍵文字	功能
<b>Fn + On/Off</b>	開啓／關閉雷射
<b>Fn + Black</b>	播放銀幕全黑(按 Black 鍵回復)
<b>Fn + White</b>	播放銀幕全白(按 Black 鍵回復)
<b>Fn + Alt+Tab</b>	簡報檔案切換 (按住 Fn 鍵不放，壓放 Alt+Tab 鍵選擇所需檔案，放開 Fn 鍵切換至所選擇之檔案)
<b>Fn + Link</b>	明顯感覺操作不順暢或無回應時方執行本功能。 先按下接收器之頻率切換鈕(Link)至紅燈亮起，再同時按住簡報器之 Fn 及 Link 鍵至接收器之訊號指示燈閃爍，即完成頻道轉換

## 產品規格

使用頻率	2400~2483MHz
遙控距離	室內 30 公尺；開放空間 100 公尺
工作電壓	2.4V~3.3V
電源供應	CR2032 電池*1
輸出功率	小於 1mW
重量	23 公克(含電池)
體積	86mm(長)*54mm(寬)*5mm(高)
環境	溫度： 操作時：0°C(32°F)~60°C(140°F) 非操作時：-10°C(14°F)~65°C(149°F) 濕度(非冷凝狀態)： 操作時 10%~85% RH 非操作時 10%~95% RH
雷射	連續式半導體雷射( $\lambda = 650 \text{ nm}$ ) 雷射最大輸出功率：0.95 mW

## 常見問題

問題	可能原因	解決方法
第一次使用時需先安裝軟體嗎?		不需要
第一次使用時需先做頻率聯結嗎?		不需要
可以在近距離內(三十公尺)同時使用兩支以上的無線簡報器嗎?		可以，但在使用前請先執行“重新聯結”以避免干擾 (詳見第 14 頁操作說明)
沒有雷射但遙控功能正常	沒有開啓雷射或雷射功能在靜置三十分鐘後自動關閉	開啓雷射 (詳見第 14 頁操作說明)
遙控功能異常但雷射正常運作	嚴重干擾	執行“重新聯結” (詳見第 14 頁操作說明)
遙控及雷射同時異常	1. 模式選擇錯誤 2. 電池沒電或置放方向錯誤	1. 確認模式是否正確(頁 14) 2. 檢查電池電量及電極置放方向

注意：本裝置若有髒污，請用軟濕布擦拭(僅用清水)，請勿使用酒精、揮發劑、稀釋劑、清潔劑擦拭。

再次感謝您選用『迷你無線簡報器』。

